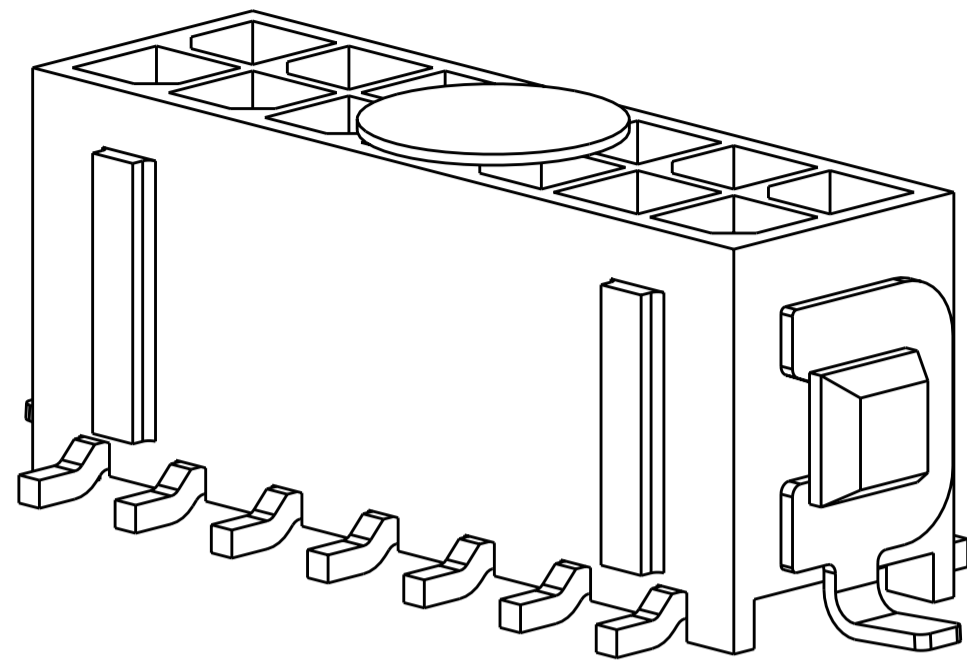
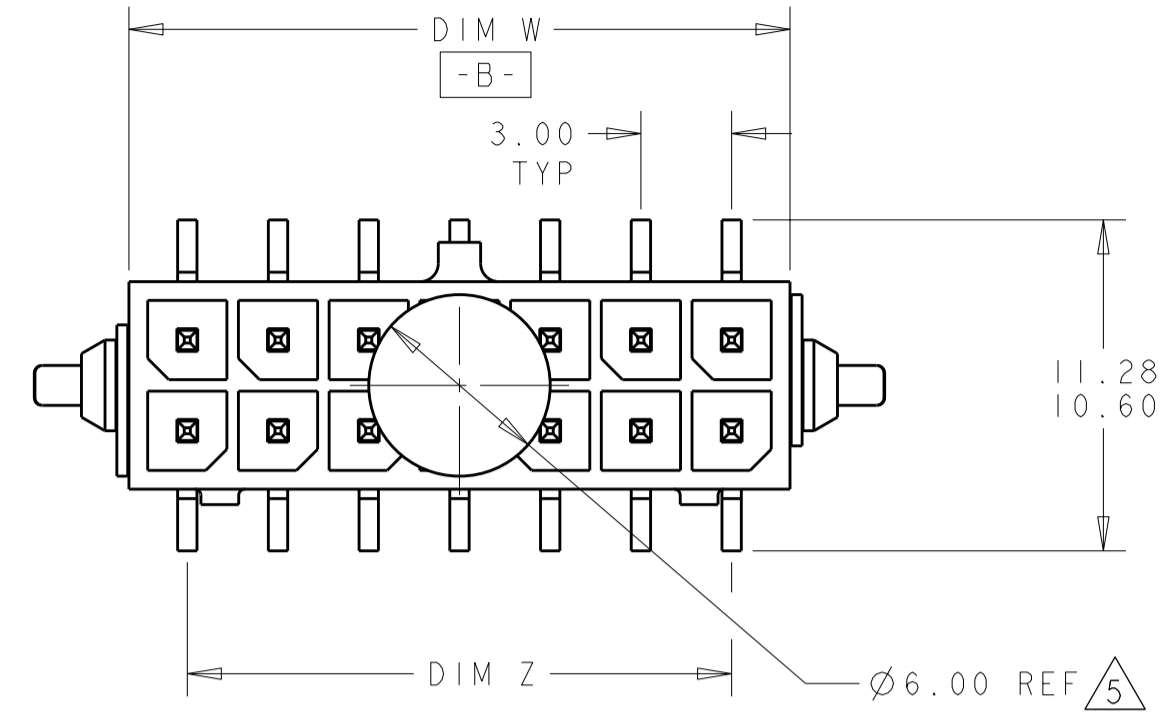
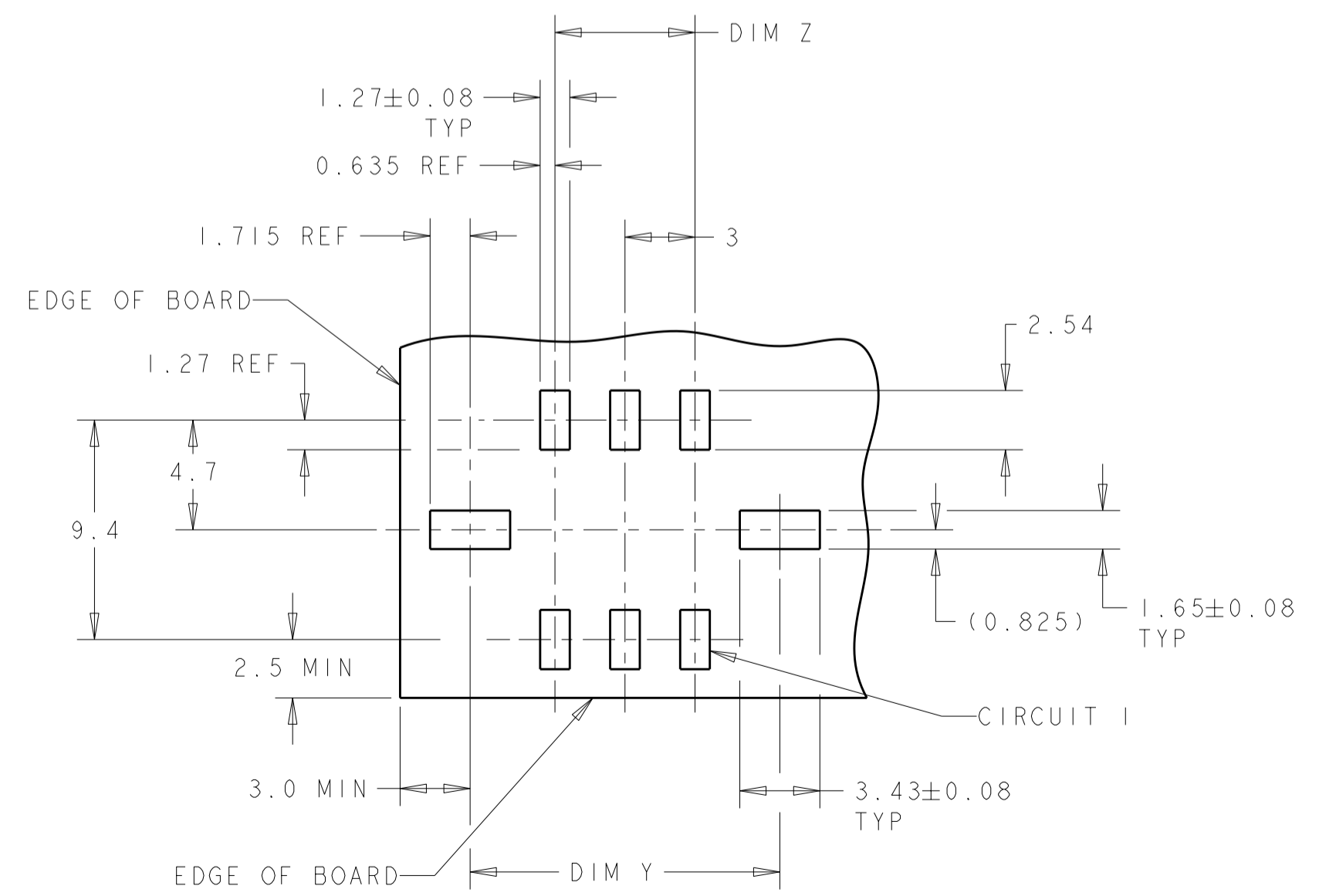
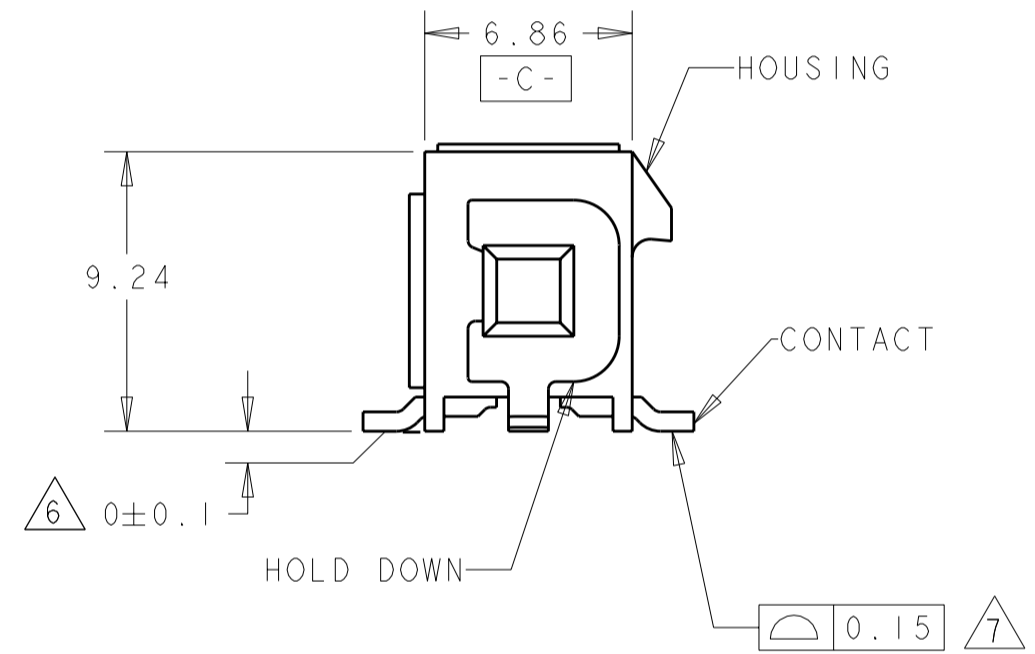
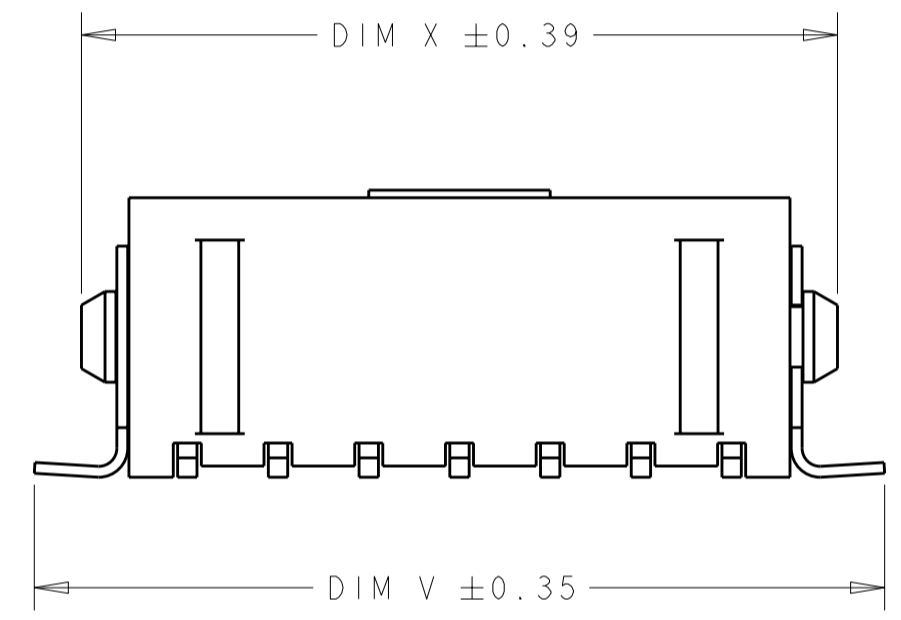


THIS DRAWING IS UNPUBLISHED. RELEASED FOR PUBLICATION 20
 © COPYRIGHT 20 BY TYCO ELECTRONICS CORPORATION. ALL RIGHTS RESERVED.

LOC	DIST	REVISIONS					
CM	00	P	LTR	DESCRIPTION	DATE	DWN	APVD
		H		REVISED PER ECO-08-009599	16JUL08	HMR	CJ



SCALE 6:1



RECOMMENDED PCB LAYOUT (COMPONENT SIDE)

- 1 MATERIAL:
CONTACTS - BRASS.
HOUSING - UL 94V-0 RATED HIGH TEMP NYLON, COLOR; BLACK.
HOLD DOWNS - PHOSPHOR BRONZE.
- 2 FINISH:
CONTACTS - 2.54µm MINIMUM TIN-LEAD OVER 1.27µm MINIMUM NICKEL.
HOLD DOWNS - 2.54µm TIN LEAD.
- 4 RECOMMENDED PC BOARD THICKNESS OF 1.57.
- 5 KAPTON VACUUM PICK UP BUTTON.
- 6 DIMENSION APPLIES TO SOLDERTAIL SURFACES AND STANDOFF SURFACES.
- 7 ALL SOLDERTAILS AND HOLD DOWNS.
- 8 FINISH:
CONTACTS - 2.54µm MINIMUM MATTE TIN OVER 1.27µm MINIMUM NICKEL.
HOLD DOWNS - 2.54µm MATTE TIN.

43.04	36.86	40.27	33.00	40.00	24	5-794636-4	
40.04	33.86	37.27	30.00	37.00	22	5-794636-2	
37.04	30.86	34.27	27.00	34.00	20	5-794636-0	
34.04	27.86	31.27	24.00	31.00	18	4-794636-8	
31.04	24.86	28.27	21.00	28.00	16	4-794636-6	
28.04	21.86	25.27	18.00	25.00	14	4-794636-4	
25.04	18.86	22.27	15.00	22.00	12	4-794636-2	
22.04	15.86	19.27	12.00	19.00	10	4-794636-0	
19.04	12.86	16.27	9.00	16.00	8	3-794636-8	
16.04	9.86	13.27	6.00	13.00	6	3-794636-6	
13.04	6.86	10.27	3.00	10.00	4	3-794636-4	
10.04	3.86	7.27	-	7.00	2	3-794636-2	
43.04	36.86	40.27	33.00	40.00	24	2-794636-4	
40.04	33.86	37.27	30.00	37.00	22	2-794636-2	
37.04	30.86	34.27	27.00	34.00	20	2-794636-0	
34.04	27.86	31.27	24.00	31.00	18	1-794636-8	
31.04	24.86	28.27	21.00	28.00	16	1-794636-6	
28.04	21.86	25.27	18.00	25.00	14	1-794636-4	
25.04	18.86	22.27	15.00	22.00	12	1-794636-2	
22.04	15.86	19.27	12.00	19.00	10	1-794636-0	
19.04	12.86	16.27	9.00	16.00	8	794636-8	
16.04	9.86	13.27	6.00	13.00	6	794636-6	
13.04	6.86	10.27	3.00	10.00	4	794636-4	
10.04	3.86	7.27	-	7.00	2	794636-2	
FINISH	DIM V	DIM W	DIM Y	DIM Z	DIM X	NO. OF POSN.	ASSEMBLY

THIS DRAWING IS A CONTROLLED DOCUMENT FOR TYCO ELECTRONICS CORPORATION. IT IS SUBJECT TO CHANGE AND THE CONTROLLING ENGINEERING ORGANIZATION SHOULD BE CONTACTED FOR THE LATEST REVISION.

DWN: S. HOOVER 23-MAR-2005
 CHK: C. JONES 23-MAR-2005
 APVD: C. JONES 23-MAR-2005

Tyco Electronics AMP Incorporated
 Harrisburg, PA 17105-3608

DIMENSIONS: mm
 TOLERANCES UNLESS OTHERWISE SPECIFIED:
 0 PLC ±
 1 PLC ±
 2 PLC ±0.13
 3 PLC ±
 4 PLC ±
 ANGLES ±
 FINISH ±

NAME: SURFACE MOUNT, VERTICAL, MECHANICAL HOLD DOWN, ASSEMBLY, TIN HEADER, DUAL ROW, MICRO MATE-N-LOK (TM)
 SIZE: A2
 CAGE CODE: 00779
 DRAWING NO: 794636
 RESTRICTED TO: -

MATERIAL: SEE TABLE
 WEIGHT: CUSTOMER DRAWING
 SCALE: 4:1
 SHEET: 1 OF 1
 REV: H

METRIC

794636